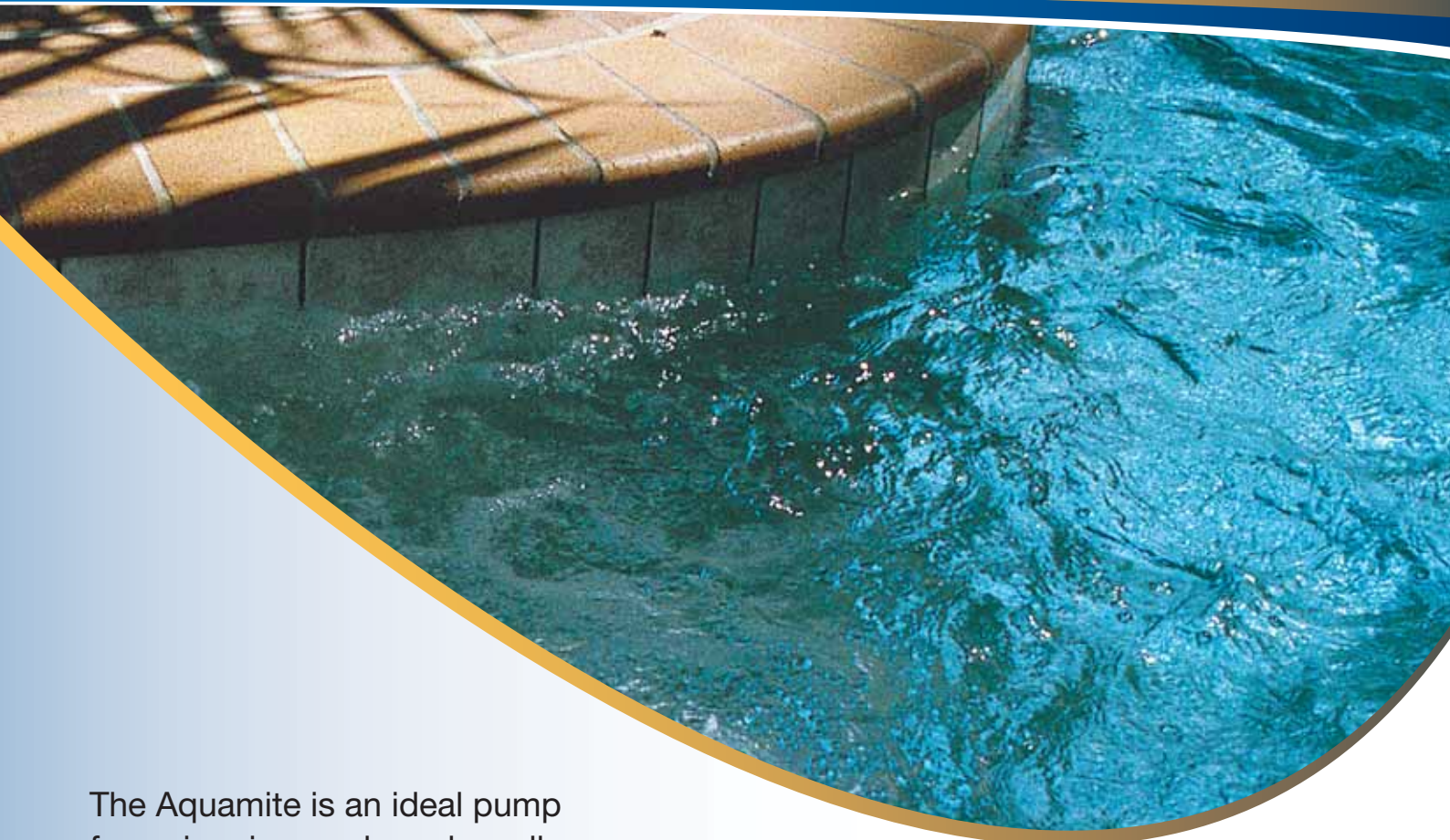


Aquamite Pool & Spa Pumps



Small in stature, big on power



The Aquamite is an ideal pump for swimming pools and small recirculation systems including ponds and small water features.



Aquamite Pool and Spa Pumps

Efficient Impeller and Diffuser Design

The pump's impeller and diffuser design maximizes the hydraulic output of the pump while minimizing turbulence. The pump's efficient hydraulic performance shortens run times and reduces energy consumption leading to lower operating costs.

Engineered Durability

The pump body is manufactured utilising state of the art engineering plastic moulding with a single piece strainer pot and volute for extra strength.

Clear basket lid – ease in identification of cleaning requirements

Inlet/Outlet: 40mm male BSP threaded on body, with half barrel unions supplied.

Mechanical seal high grade carbon/graphite with stainless steel spring assembly

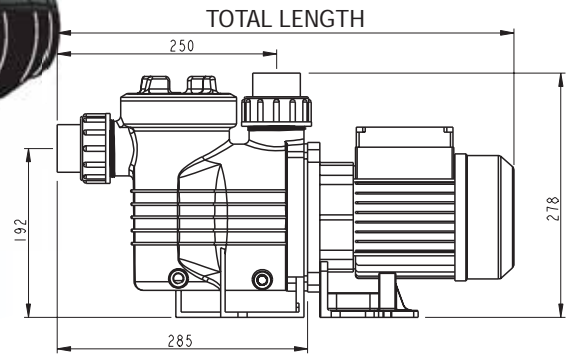
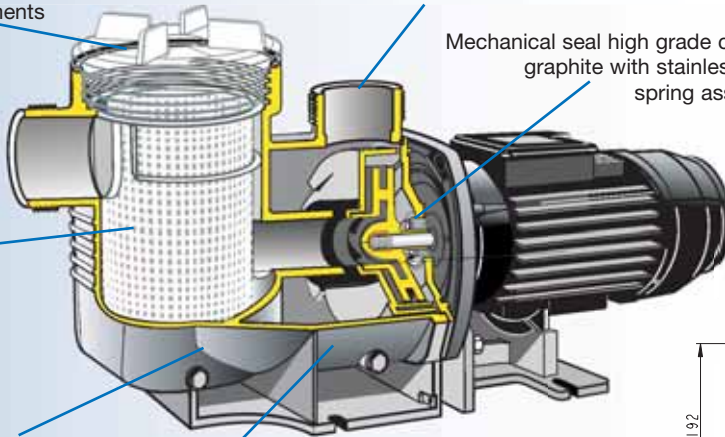
- > IP44 rating.
- > Motor shaft 303 grade stainless steel.
- > Fan cooled.
- > Thermal overload
- > Insect and vermin resistant.

Strainer Basket

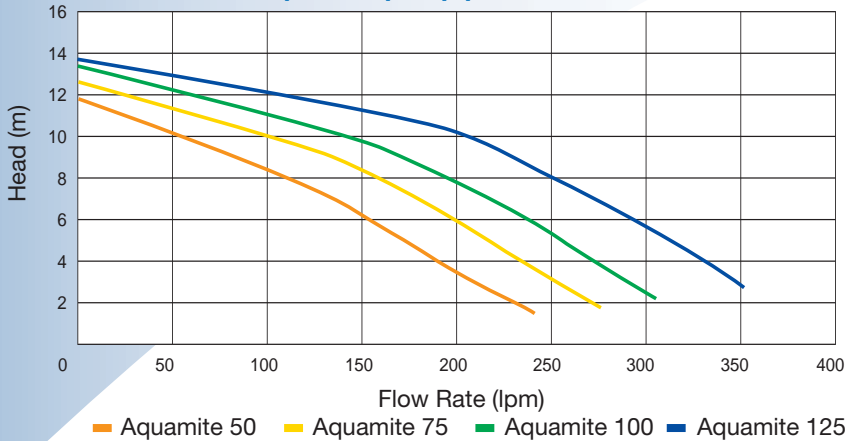
Strong, one-piece body mould – added durability

Hydraulically designed body – minimal noise level

Barrel unions: 40mm UPVC pipe on suction/discharge



Aquamite pump performance chart



Code	2402050	2402075	2402100	2402125
Pump Model	50	75	100	125
Phase	1	1	1	1
HP	0.50	0.75	1.00	1.25
KW	0.58	0.65	0.76	0.88
Amps	2.50	3.00	3.33	3.90
Motor Frame	63	63	71	71
Total Length	497	497	520	520

Phase	Volts	Cycle	RPM	Pump Rating
1	220 - 240	50	2860	IPX4

Warranty

Waterco pumps are covered by a 3 year warranty on the pump wet end, 2 year warranty on the pump motor and 1 year warranty on the mechanical seal. Commercial installations are covered by a 1 year warranty for all components.

OFFICES - AUSTRALIA

NSW - Sydney (Head Office)
Tel: +61 2 9898 8600
QLD - Brisbane
Tel: +61 7 3299 9900
VIC/TAS - Melbourne
Tel: +61 3 9879 5141
WA - Perth
Tel: +61 8 9273 1900
SA/NT - Adelaide
Tel: +61 8 8244 6000
ACT Distribution
Tel: +61 2 6280 6476

OFFICES - OVERSEAS

Waterco (Europe) Limited
Radfield, Kent, UK
Tel: +44 (0) 1795 521 733
Waterco (USA) Inc
Phoenix, Arizona, USA
Tel: +1 623 434 4703
Waterco USA (Baker Hydro)
Augusta, USA
Tel: +1 706 793 7291
Waterco Canada (Focus Temp)
Quebec, Canada
Tel: +1 450 796 4333

Waterco (NZ) Limited
Auckland, New Zealand
Tel: +64 9 525 7570
Waterco (GZ) Limited
Guangzhou, China
Tel: +86 20 3222 2180
Waterco (Far East) Sdn Bhd
Selangor, Malaysia
Tel: +60 3 6145 6000
PT Waterco Indonesia
Jakarta, Indonesia
Tel: +62 21 4585 1481

DISTRIBUTED BY:

